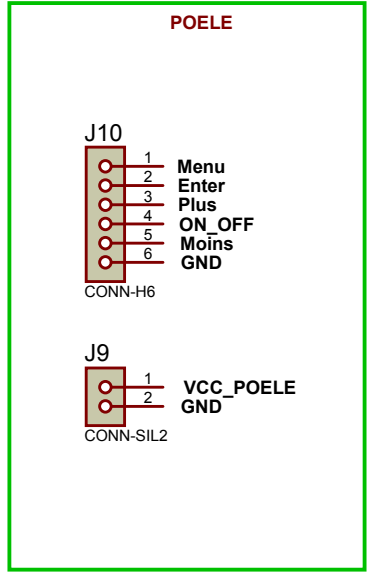
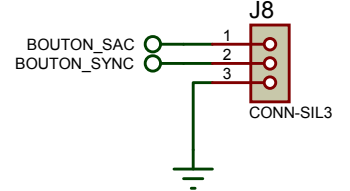
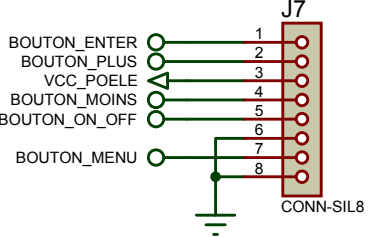
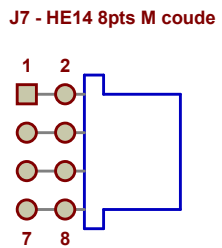
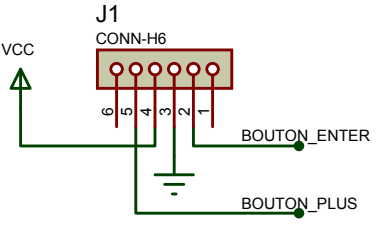
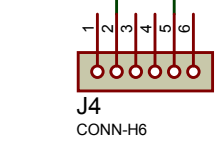
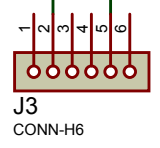
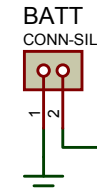
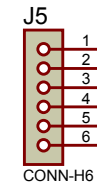
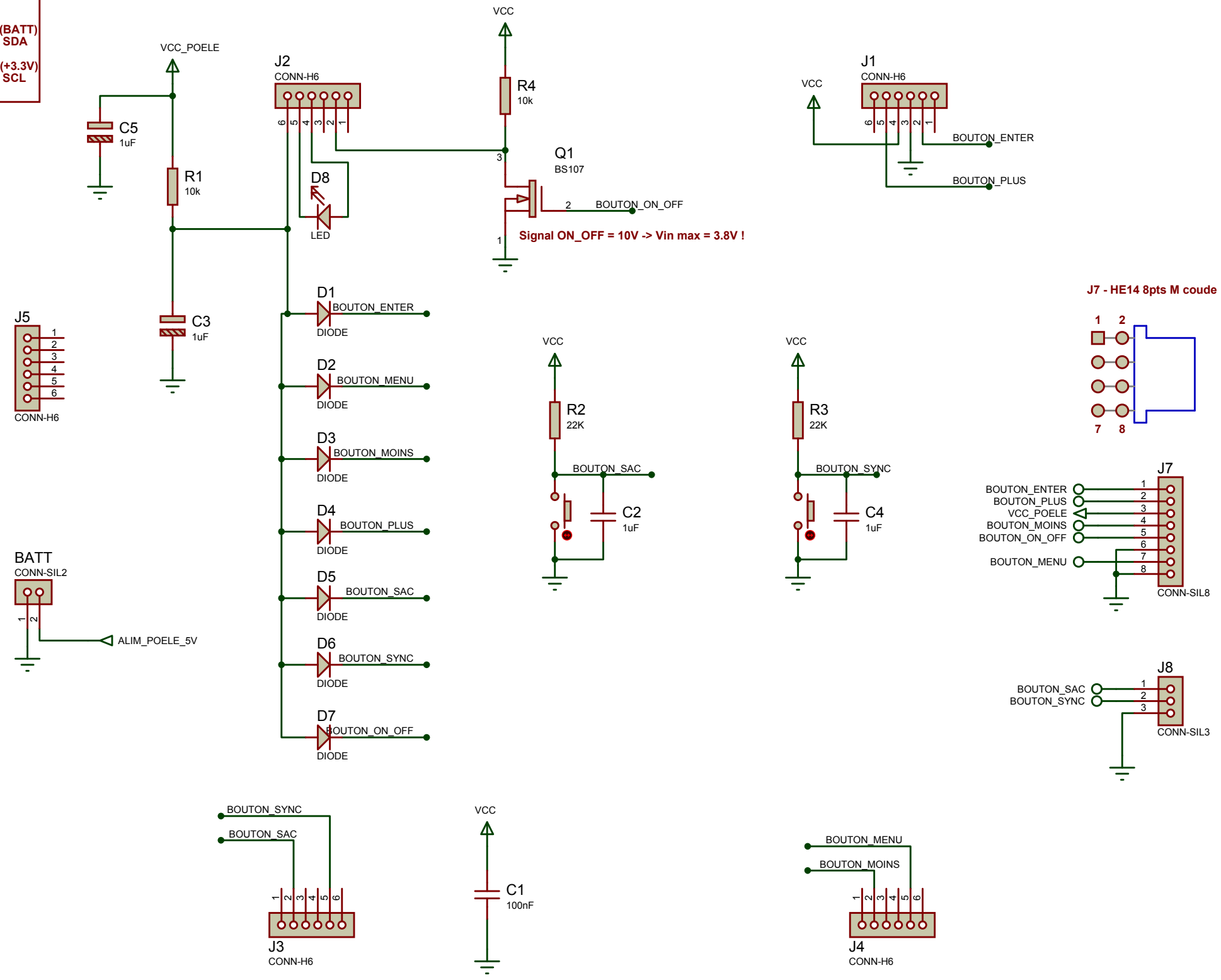


J1,J2,J3,J4 :
 1 :PWR (BATT)
 2 : DIO - SDA
 3 : GND
 4 : VCC (+3.3V)
 5 : AIO - SCL
 6 : IRQ



FILE NAME:	POELE_DSN	DATE:	02/02/2014
DESIGN TITLE:	G:\Projets_Electroniques\DOMINI\trunk\ARCHI\POELE\POELE_DSN	PAGE:	1 of 1
PATH:	G:\Projets_Electroniques\DOMINI\trunk\ARCHI\POELE\POELE_DSN	BY:	<NONE>
REV:	<NONE>	TIME:	19:27:31